

**Receiver**
**From**

 Society  
 Reference  
 Address  
 Phone  
 Fax  
 E-mail

**Item n° :**

60204037

**Model :**

K 20/41 T IE2

**Pump data**

MEI ≥ -

Pressure rating : 5,922 atm

Min. fluid temperature : -10 °C

Max. fluid temperature : 50 °C

Max. Ambient temperature : 40 °C

**Requested data**

Flow :

Head :

Fluid : Water

Fluid Temperature : 20 °C

 Density : 998,3 kg/m<sup>3</sup>

 Kinematic viscosity : 1,005 mm<sup>2</sup>/s

Vapor pressure : 0,02 atm

**Hydraulic data (duty point)**

Flow :

Head :

NPSH :

Shaft power P2 :

Efficiency :

**Materials**

Pump body Cast iron 200 UNI ISO 185

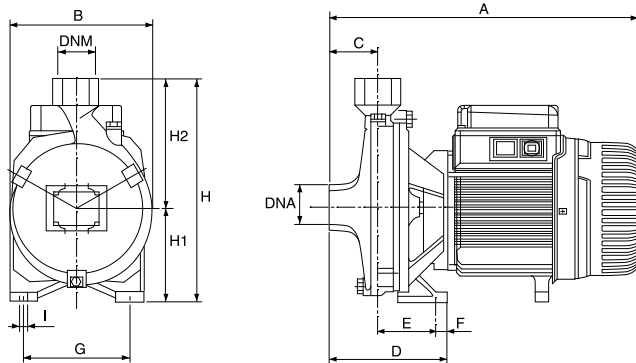
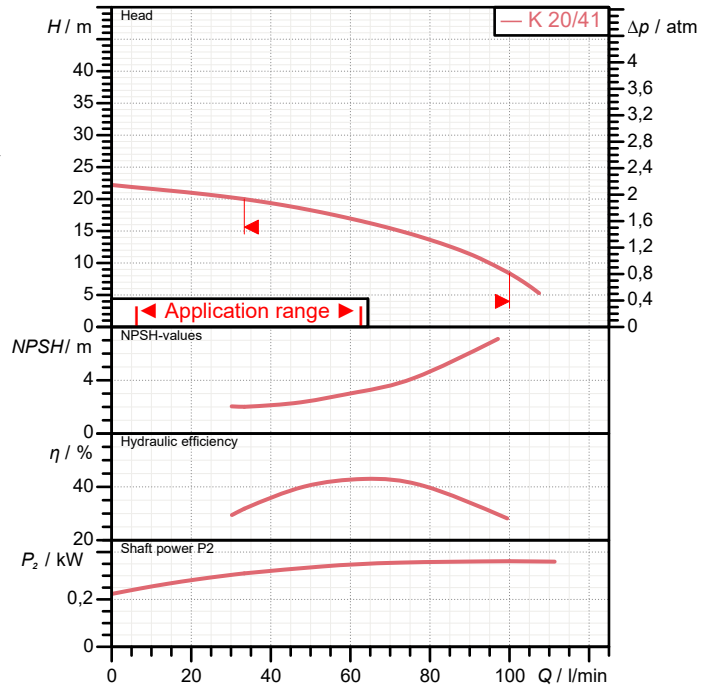
Support Cast iron 200 UNI ISO 185

Impeller Technopolymer A

Mechanical seal Carbon/Ceramic

OR ring NBR Rubber

Shaft with rotor AISI 416 X12 CrS 13 UNI 6900/71

**Curve tolerance according to ISO 9906**

**Weight :** 10 kg

**Motor data**

Motor brand : DAB

Nominal power P2 : 0,47 kW

Rated speed : 2.800 1/min

Rated voltage : 3~ 400 V 50 Hz

Nominal current : 1,52 A

Degree of protection : IP 44

**Dimensions in mm**

A	300
B	160
C	50
D	116
DNA	1" G-M
DNM	1" G-M
E	50
F	15
G	110
H	205
H1	85
H2	120
I	9

**Pump connection**

Suction side : 1" G-M / 5,922 atm

Discharge side : 1" G-M / 5,922 atm



# PERFORMANCE CURVES

DAB PUMPS S.p.A.  
Via Marco Polo, 14 - 35035 Mestrino (PD), Italy  
Tel. +39 049 5125000 - Fax +39 049 5125950  
www.dabpumps.com

2022-06-23

Page 2 / 3

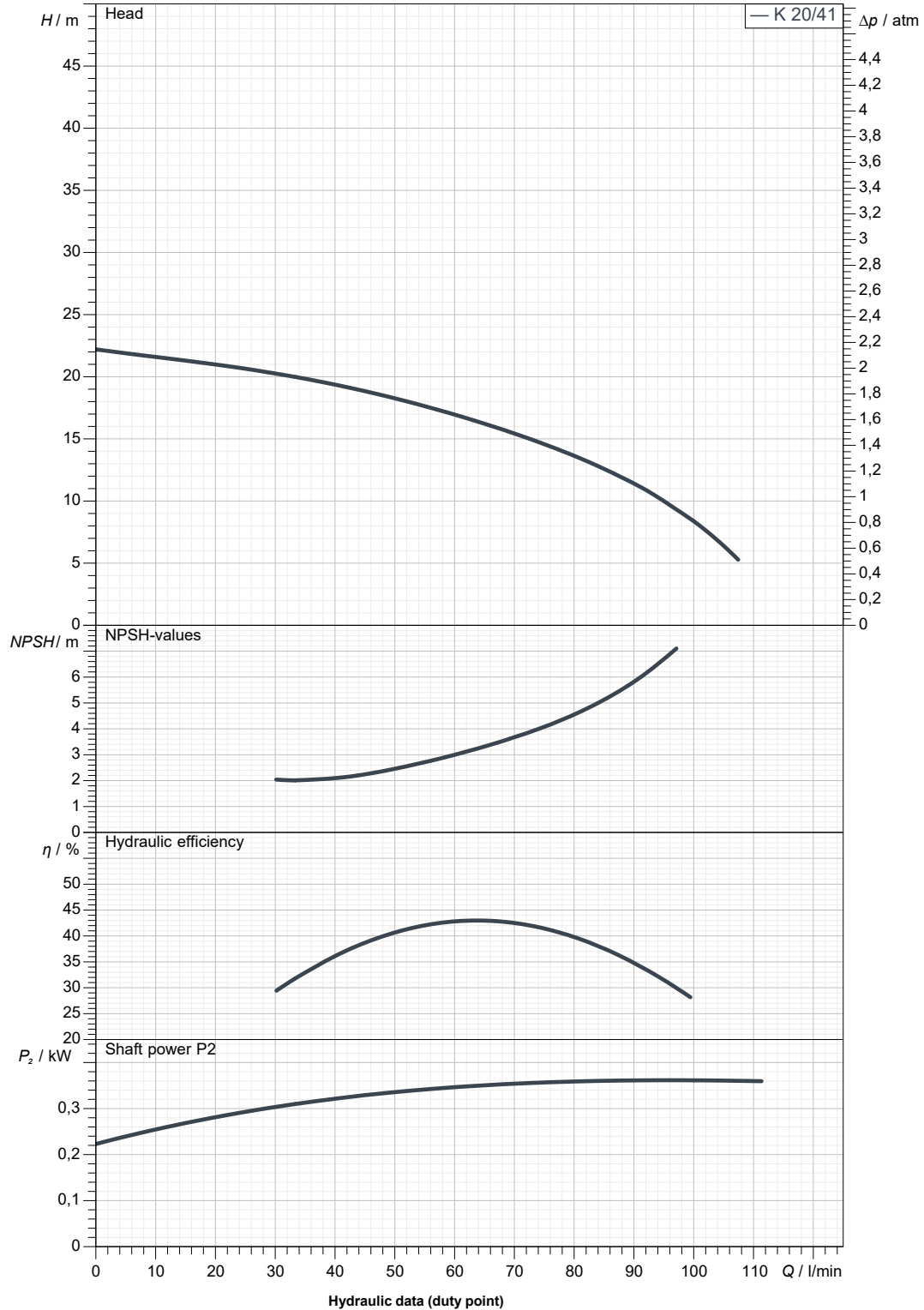
Receiver

From

Society  
Reference  
Address  
Phone  
Fax  
E-mail

**K 20/41 T IE2**

Curve tolerance according to ISO 9906



Suction side :  
1" G-M  
5,922 atm

Discharge side :  
1" G-M  
5,922 atm

Flow :

Head :

Rated speed :  
2.800 1/min

MAIN\_PROJECT\_TITLE

BUSINESS\_PROCESS\_ID

OWNER\_

ISSUE\_DATE  
2022-06-23



# DIMENSIONAL DRAWING

DAB PUMPS S.p.A.  
Via Marco Polo, 14 - 35035 Mestrino (PD), Italy  
Tel. +39 049 5125000 - Fax +39 049 5125950  
www.dabpumps.com

2022-06-23

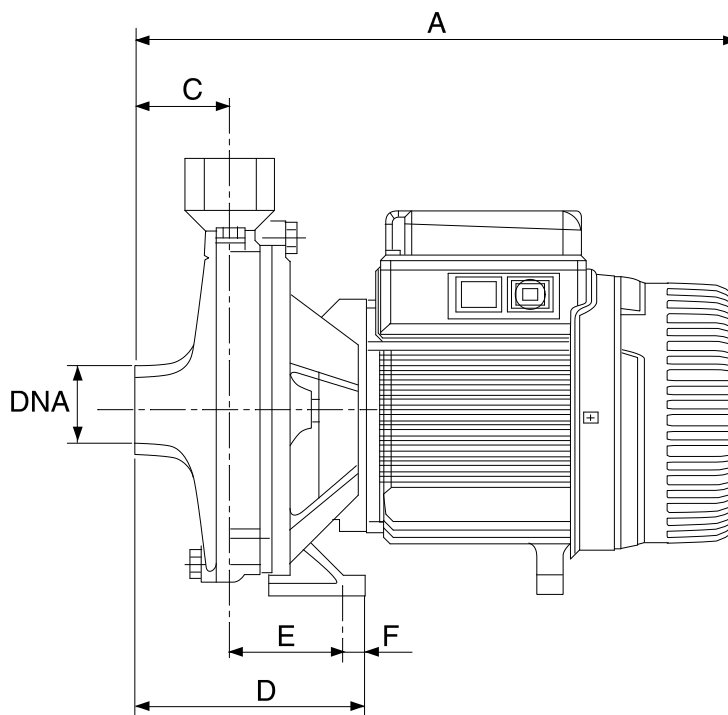
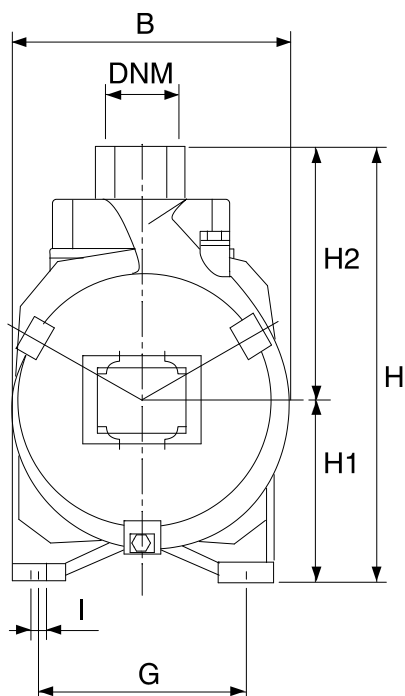
Page 3 / 3

Receiver

From

Society  
Reference  
Address  
Phone  
Fax  
E-mail

## K 20/41 T IE2



**Dimensions in mm**

**Pump connection**

1	A	300	I	9			
2	B	160					
3	C	50					Suction
4	D	116					1" G-M
5	DNA	1" G-M					5,922 atm
6	DNM	1" G-M					
7	E	50					Discharge
8	F	15					1" G-M
9	G	110					5,922 atm
10	H	205					
11	H1	85					
12	H2	120					

MAIN\_PROJECT\_TITLE

BUSINESS\_PROCESS\_ID

OWNER

ISSUE\_DATE

2022-06-23